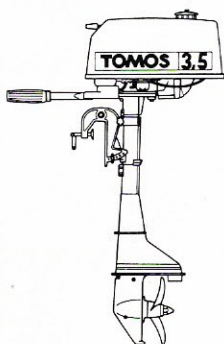
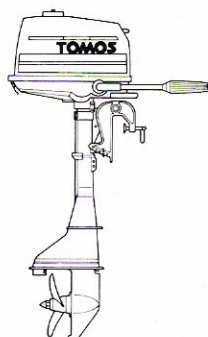


TOMOS

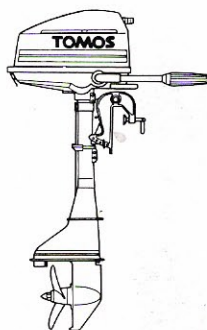
T-3



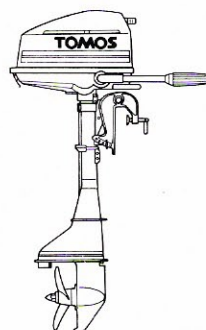
T-4



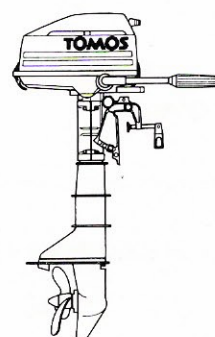
T-4,5



T-4,8



T-5



1988

spare parts

LEGENDE

● COMPLET

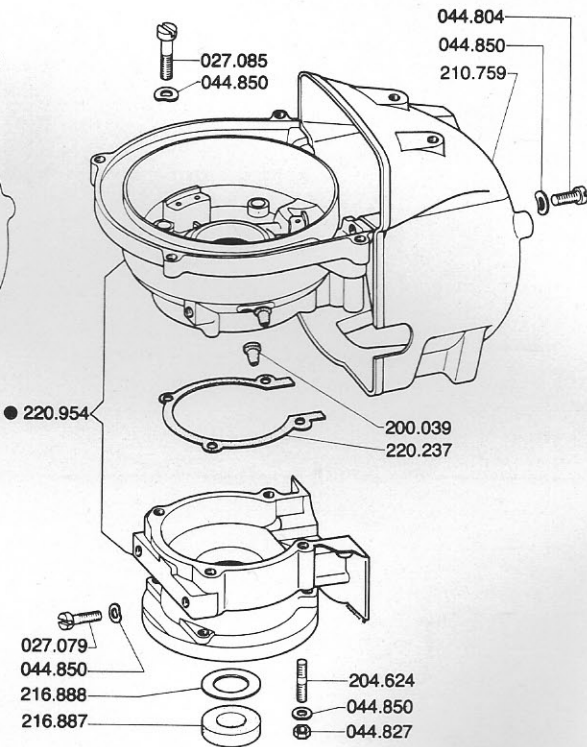
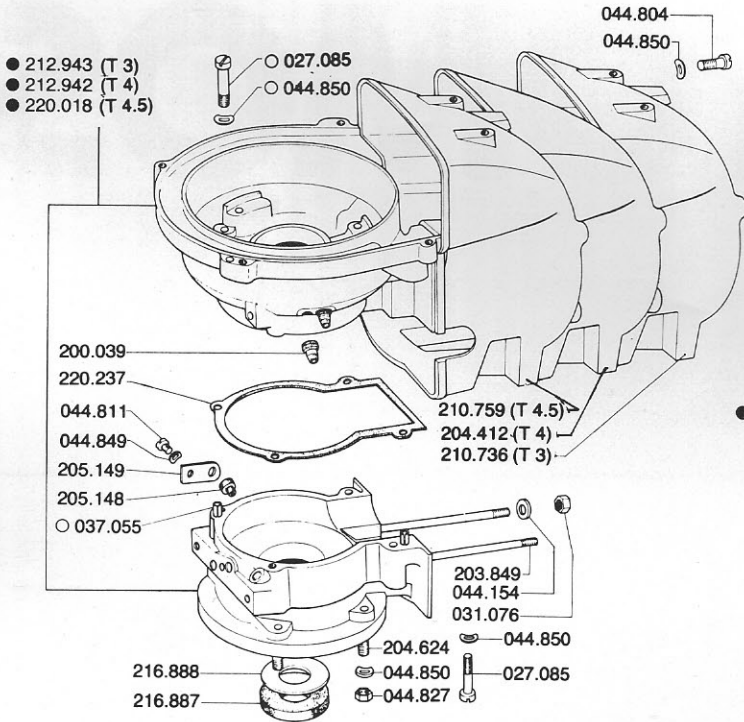
○ WITH THE COMPLET

CRANKCASE, BLOWER HOOD

(T 3, T 4, T 4.5)

T 4.8, T 5

A



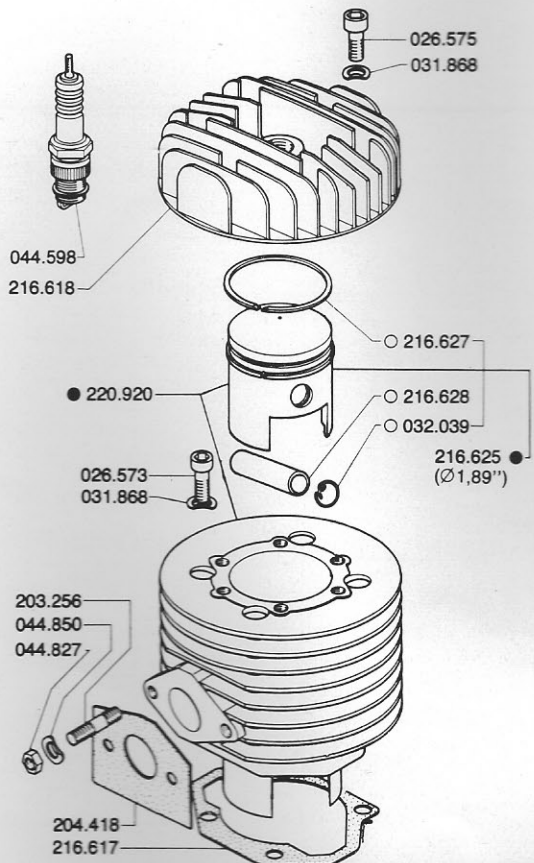
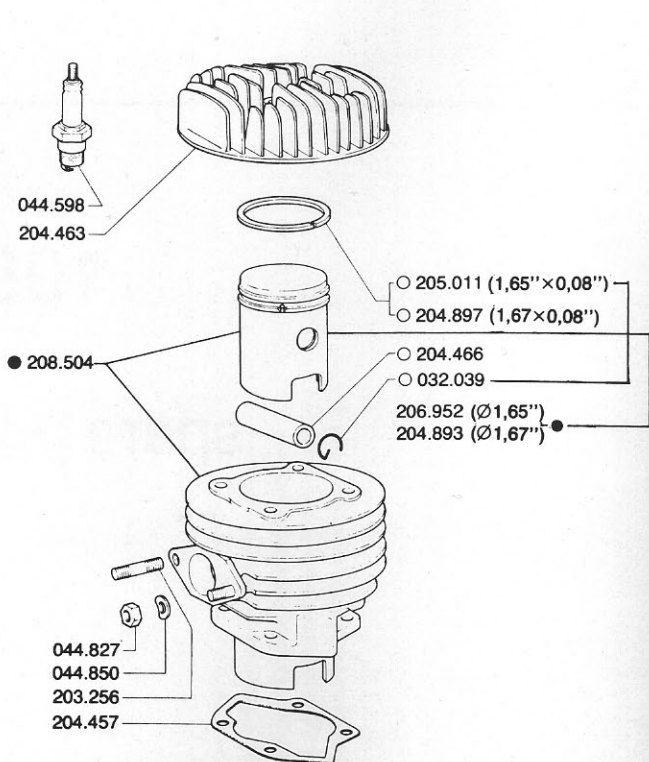
SET OF GASKETS

209.786

CYLINDER, CYLINDER HEAD, PISTON, SPARK PLUG (T 3, T 4, T 4.5)

T 4.8, T 5

B

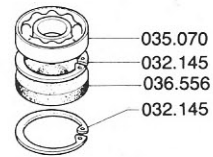
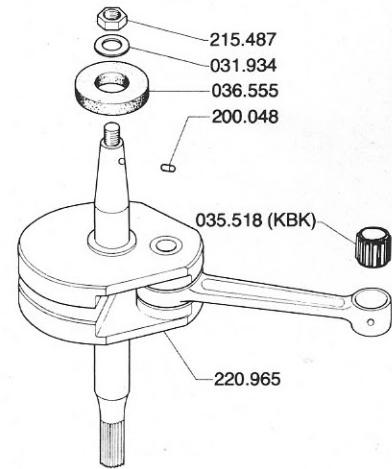
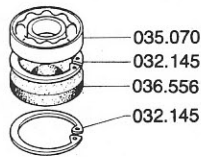
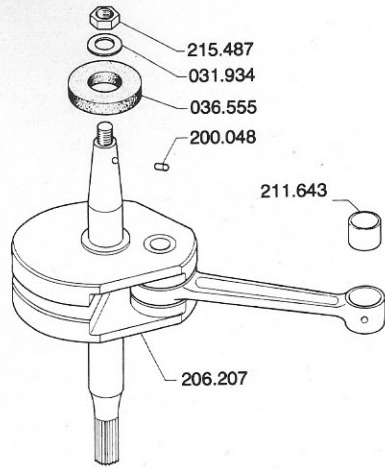


CRANKSHAFT

(T 3, T 4, T 4.5)

T 4.8, T 5

C

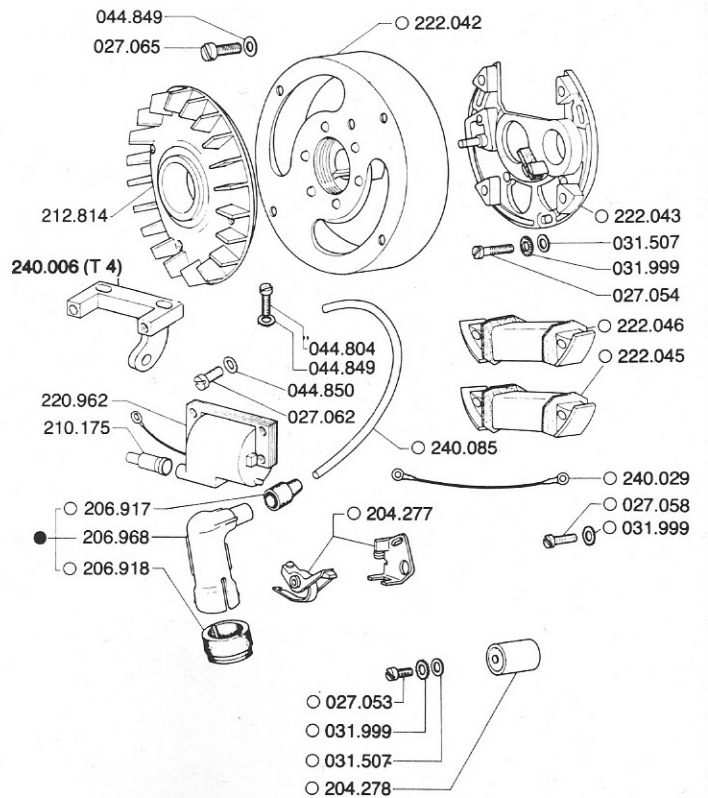
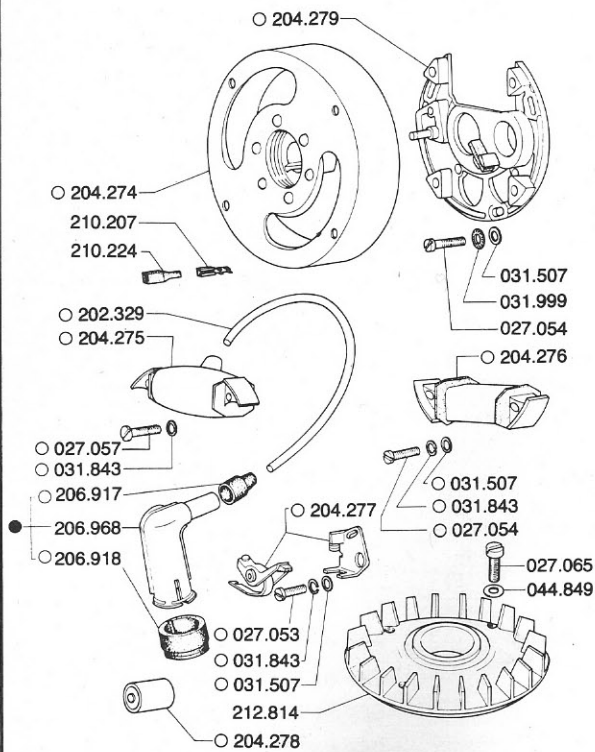


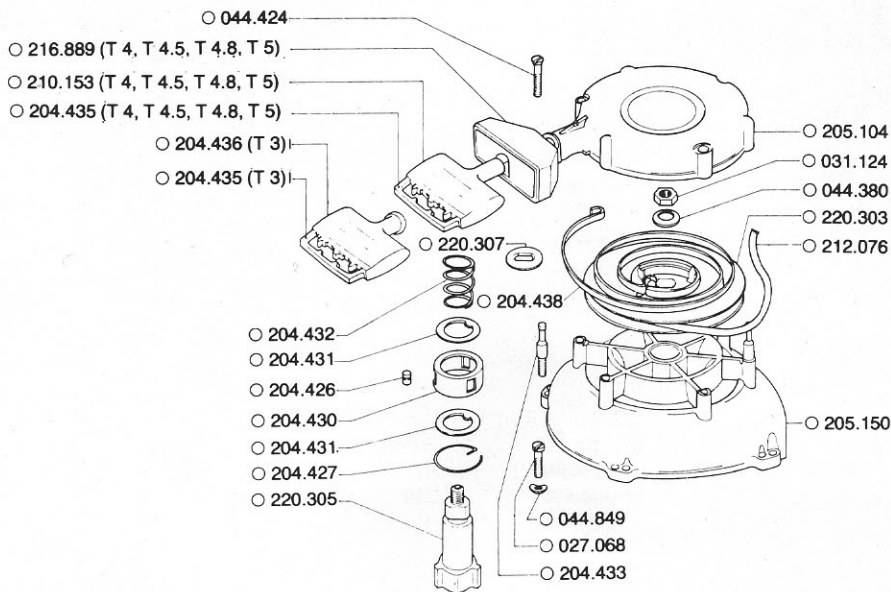
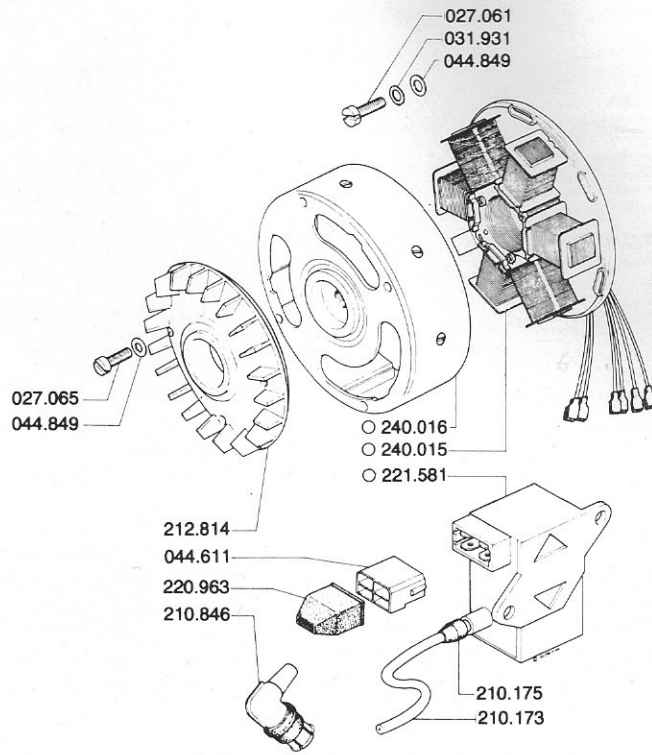
GENERATOR

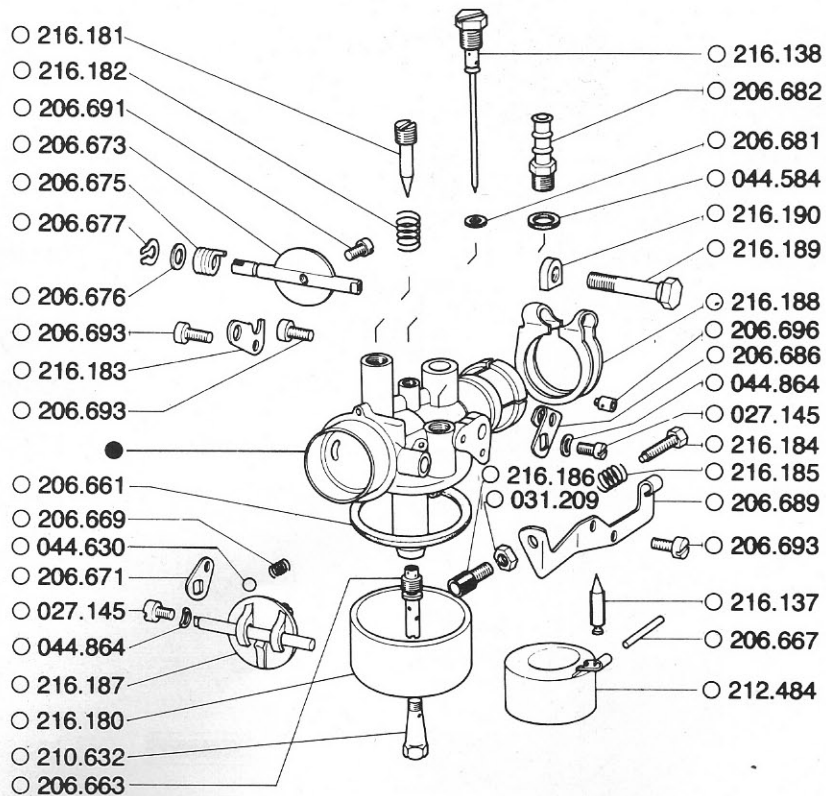
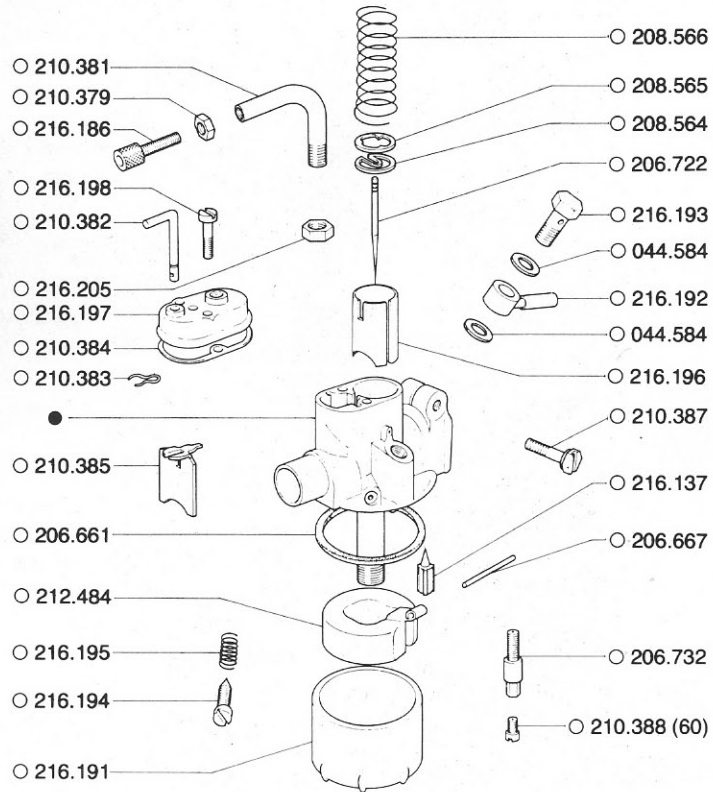
● 214.650 (T 3)

● 220.931 (T 4)

D



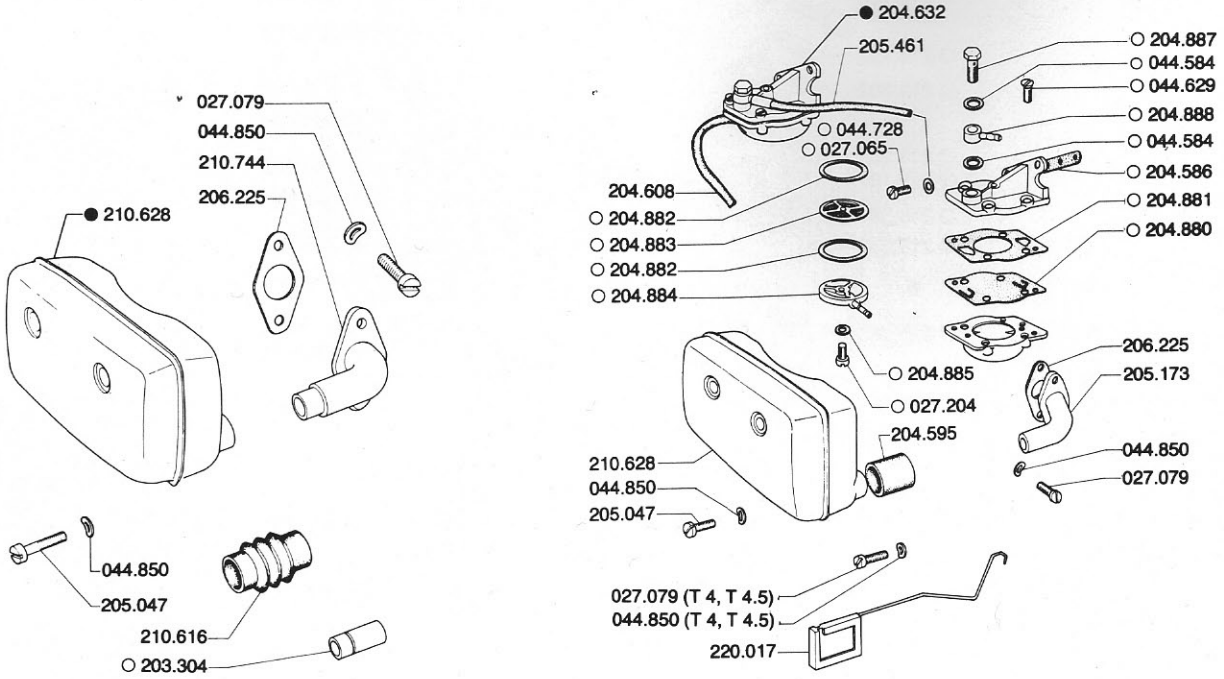




INTAKE SILENCER, CONNECTION BEND (T 3)

FUEL PUMP (T 4, T 4.5, T 4.8, T 5)

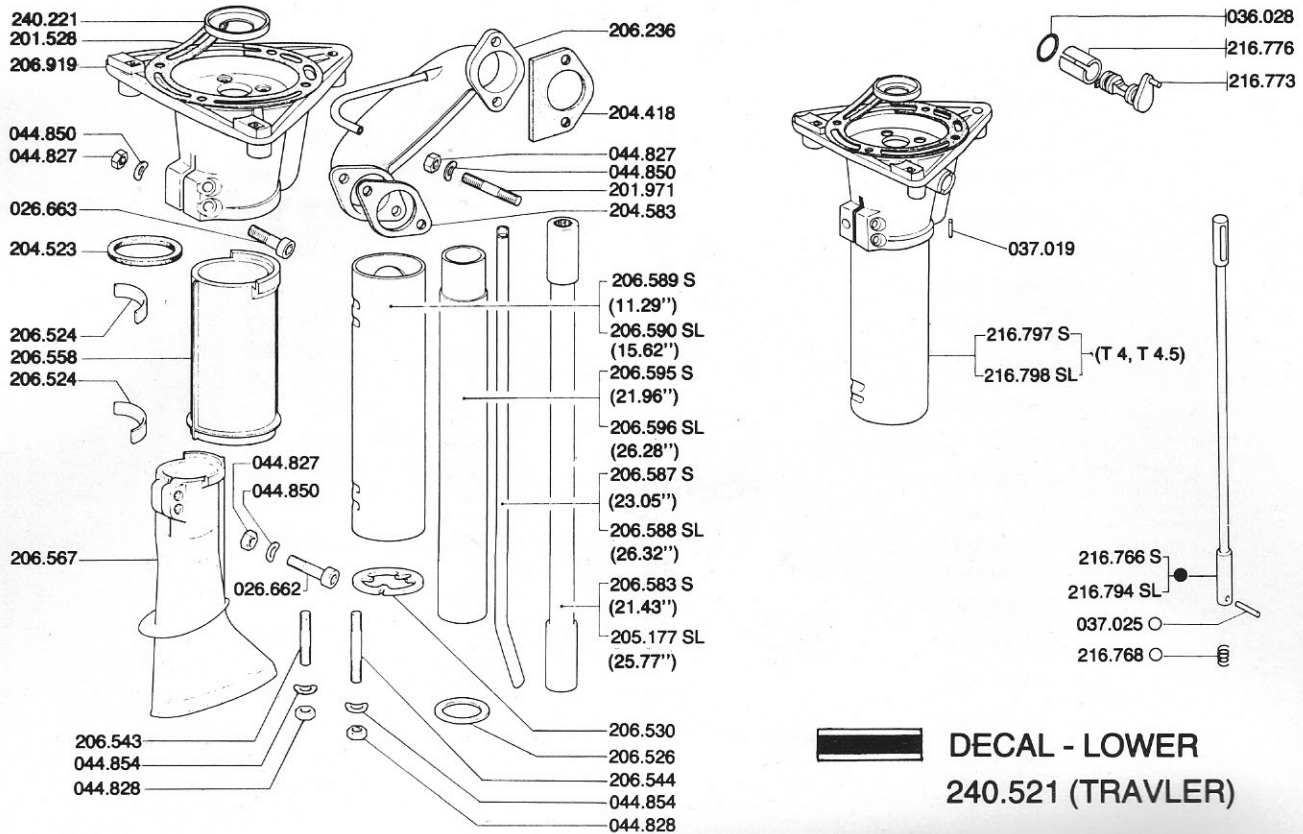
I



ENGINE FLANGE, CONNECTION SHAFT, EXHAUST ELBOW (T 3)

T 4, T 4.5

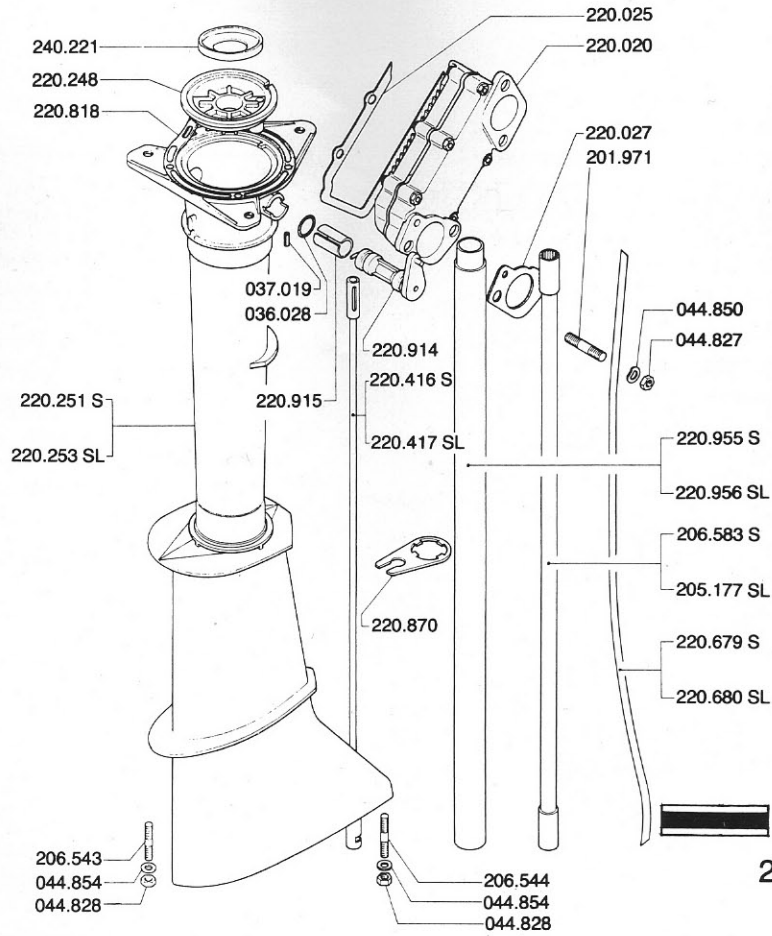
J



 DECAL - LOWER
240.521 (TRAVLER)

JOINT HOUSING, CONNECTION SHAFT, EXHAUST ELBOW (T 4.8, T 5)

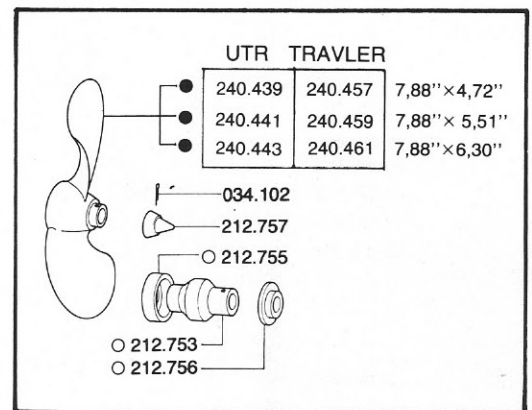
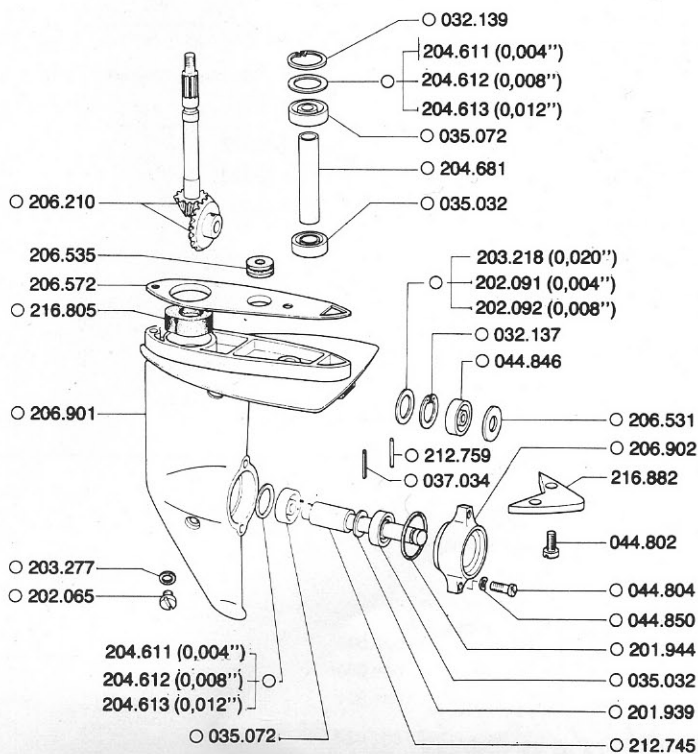
K

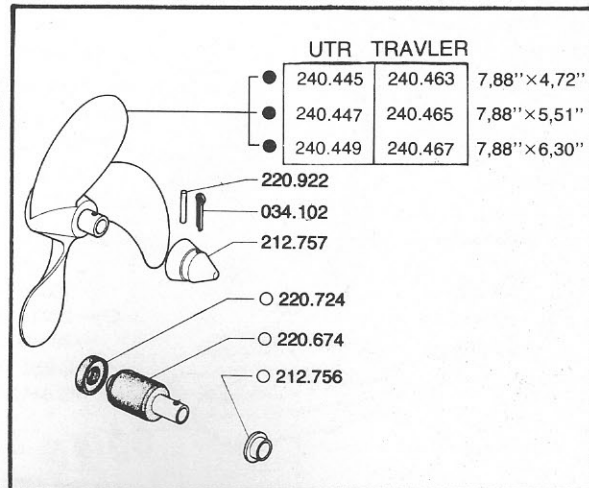
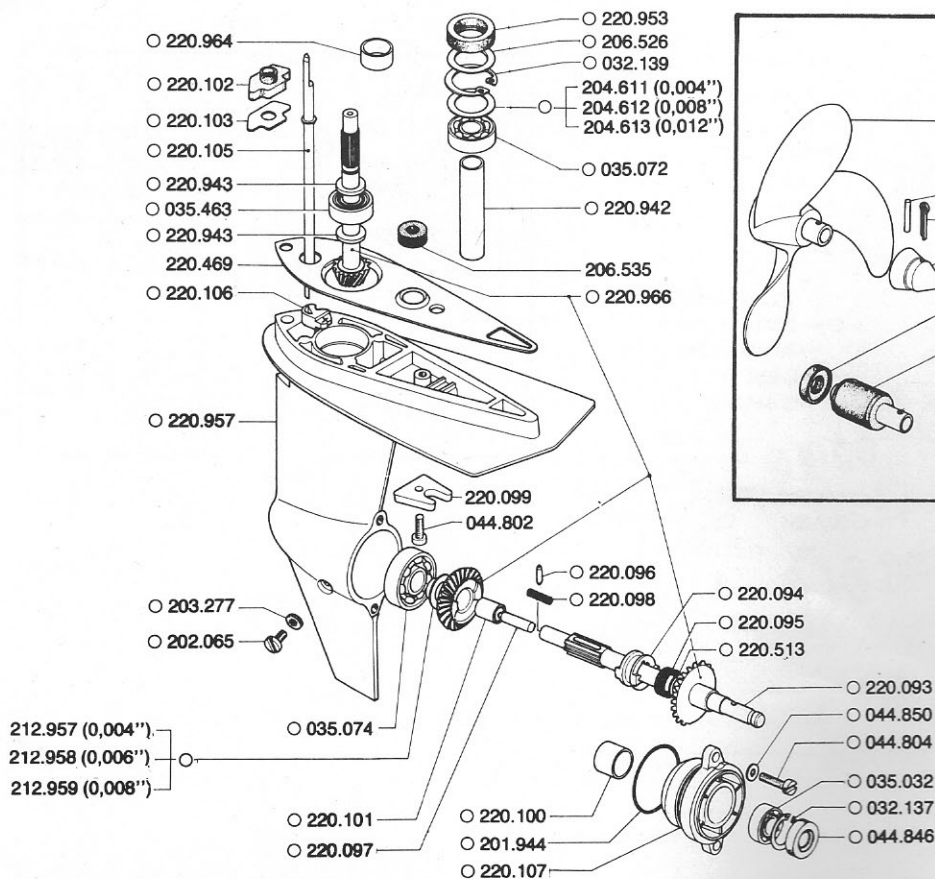
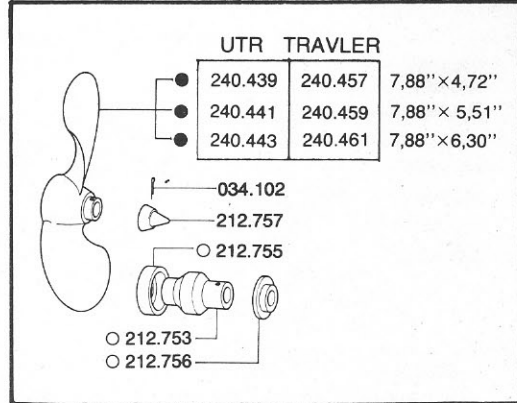
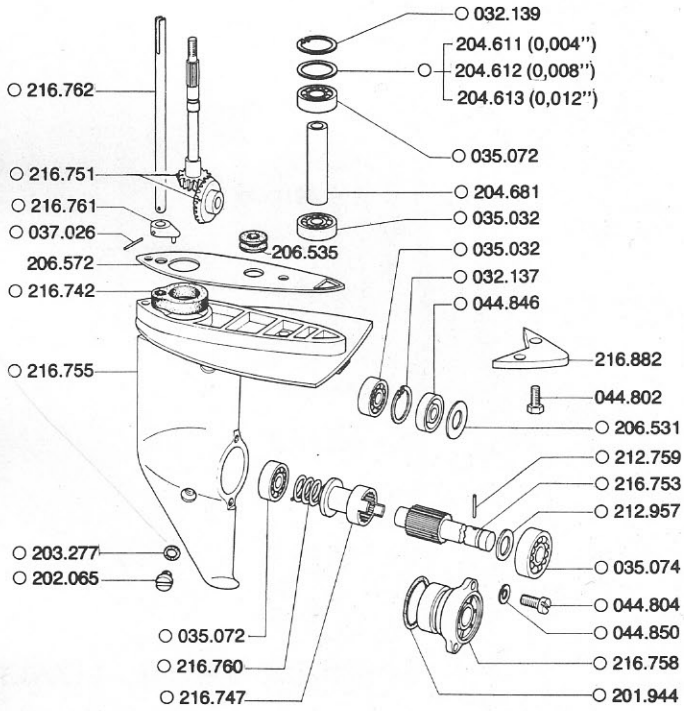


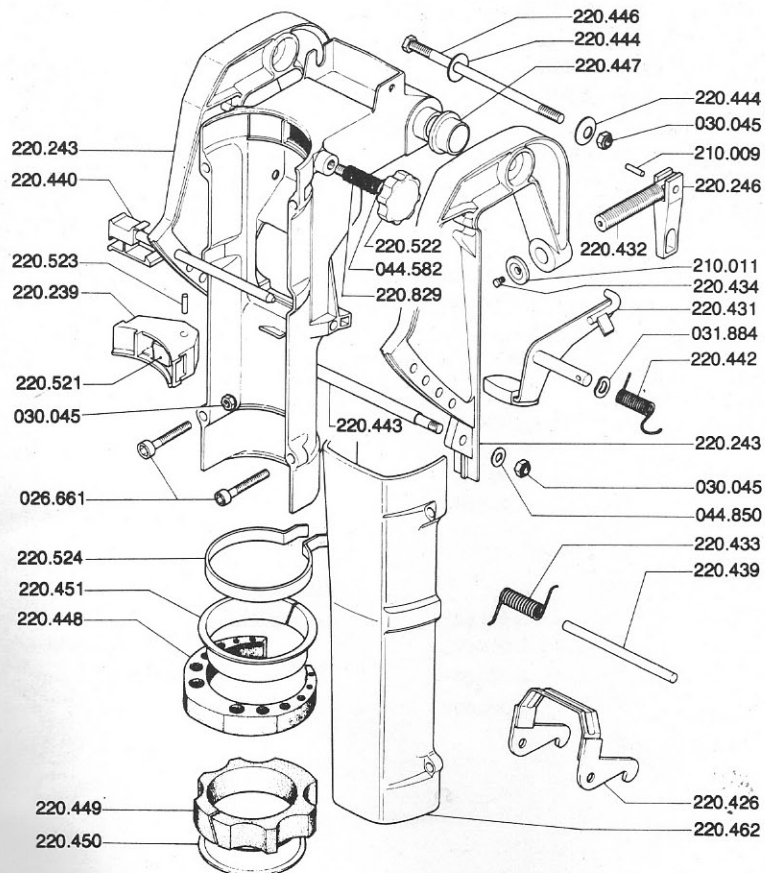
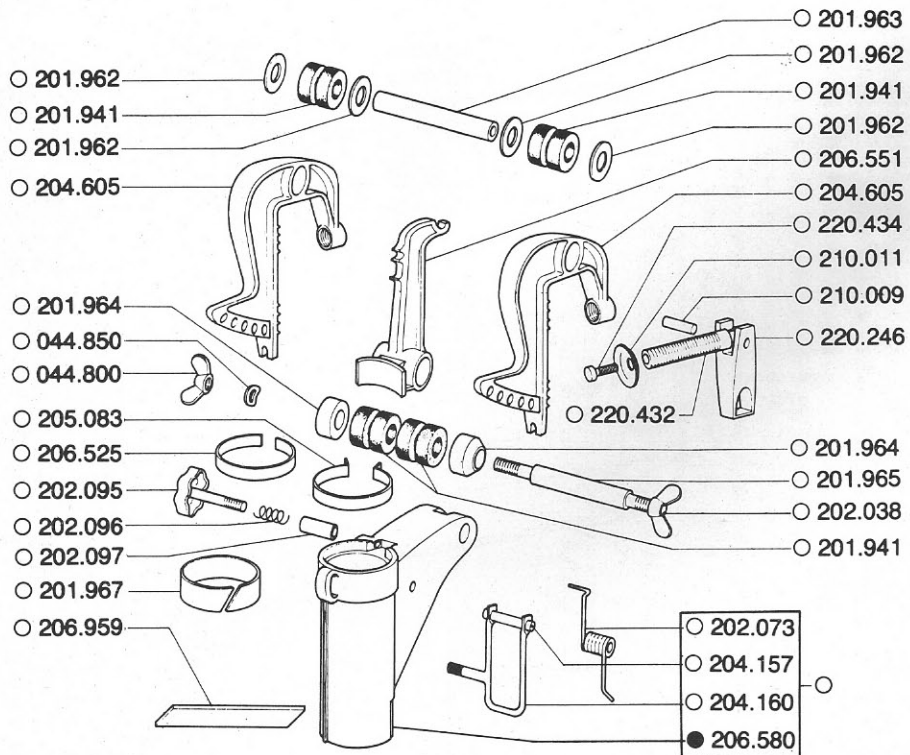
GEARHOUSING

● 206.900 (T 3)

L





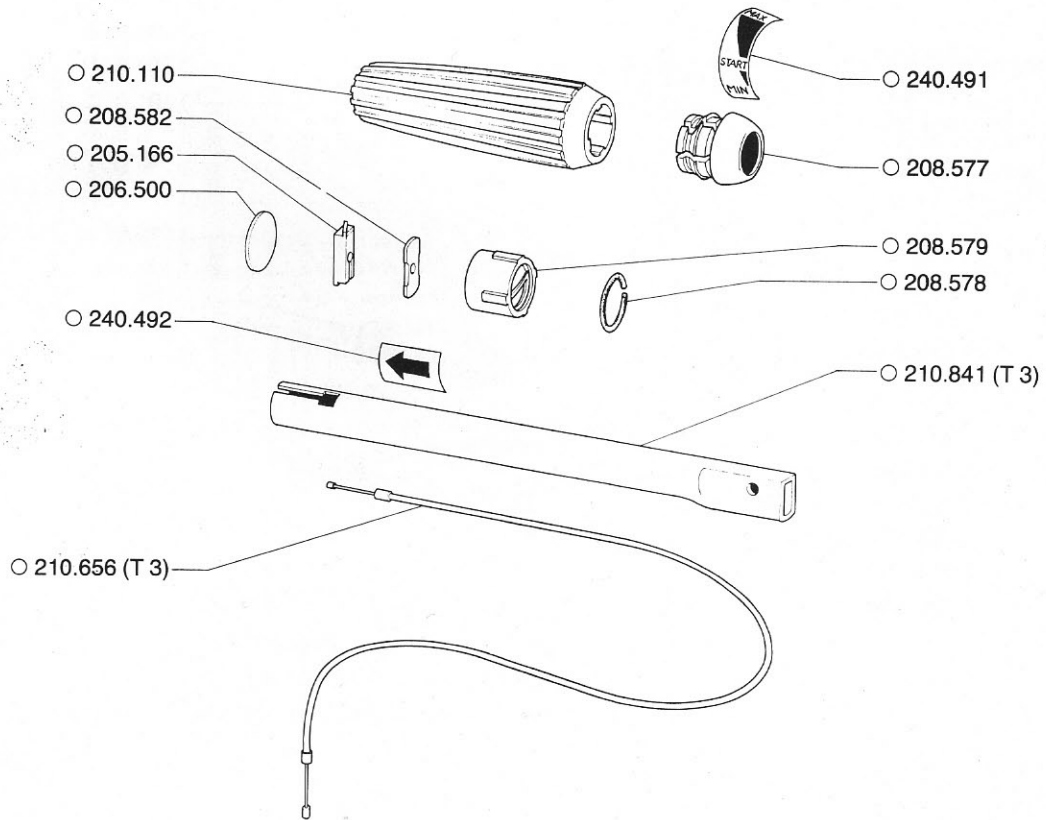


STEERING HANDLE, TWIST GRIP, CONTROL CABLE

● 210.739 (T 3)

R

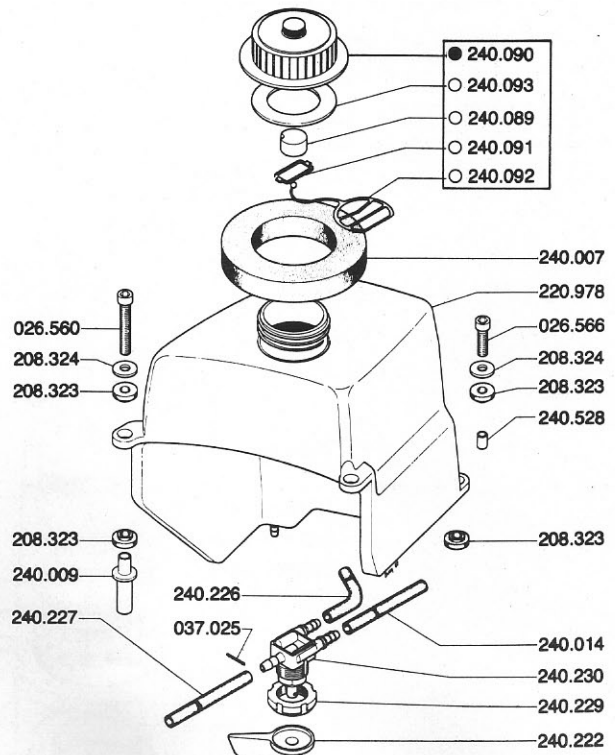
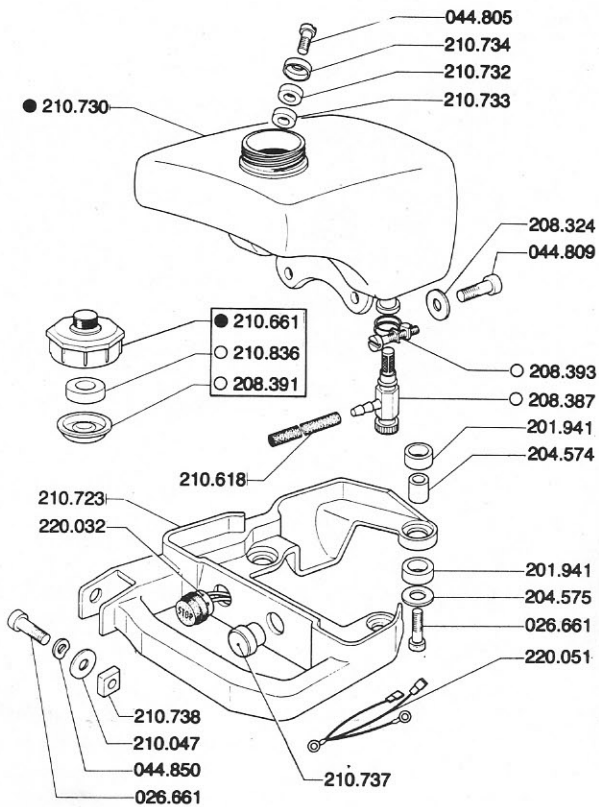
● 208.560 (T 4, T 4.5, T 4.8, T 5)



FUEL TANK, STEERING LEVER SUPPORT (T 3)

FUEL TANK (T 4)

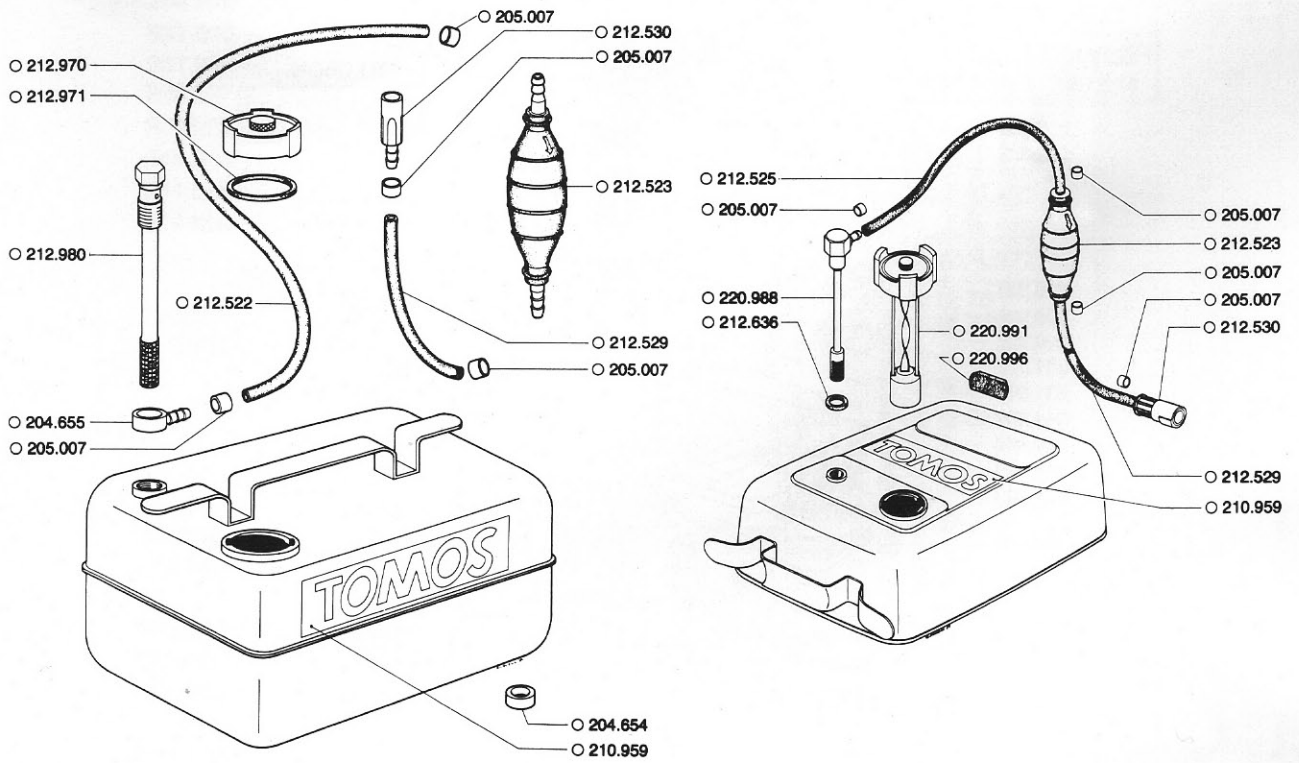
S



FUEL TANK ● 205.134 (T 4.5, T 4.8, T 5)

● 220.985 (T 4.5, T 4.8, T 5)

T

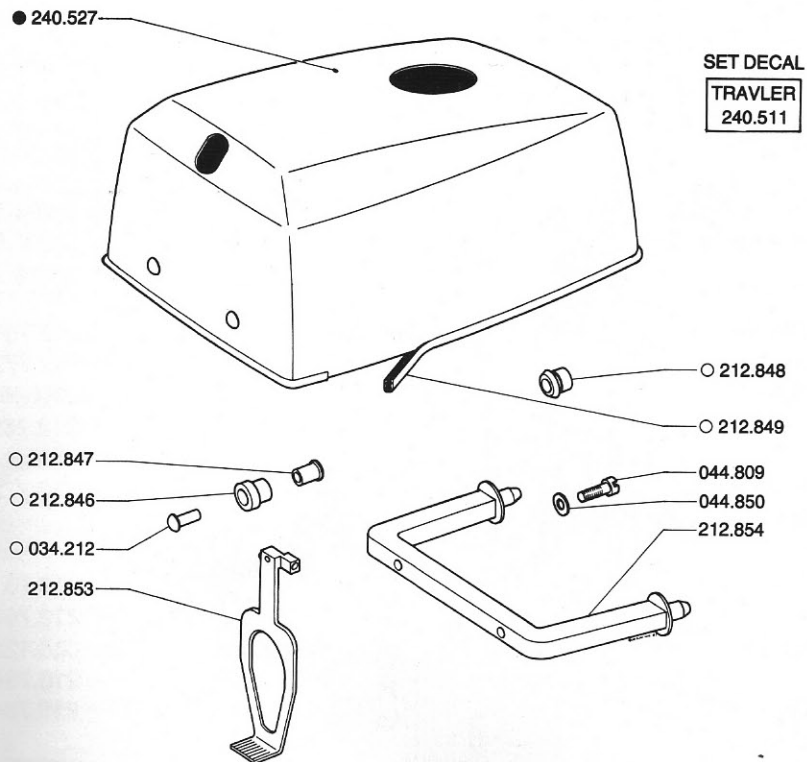


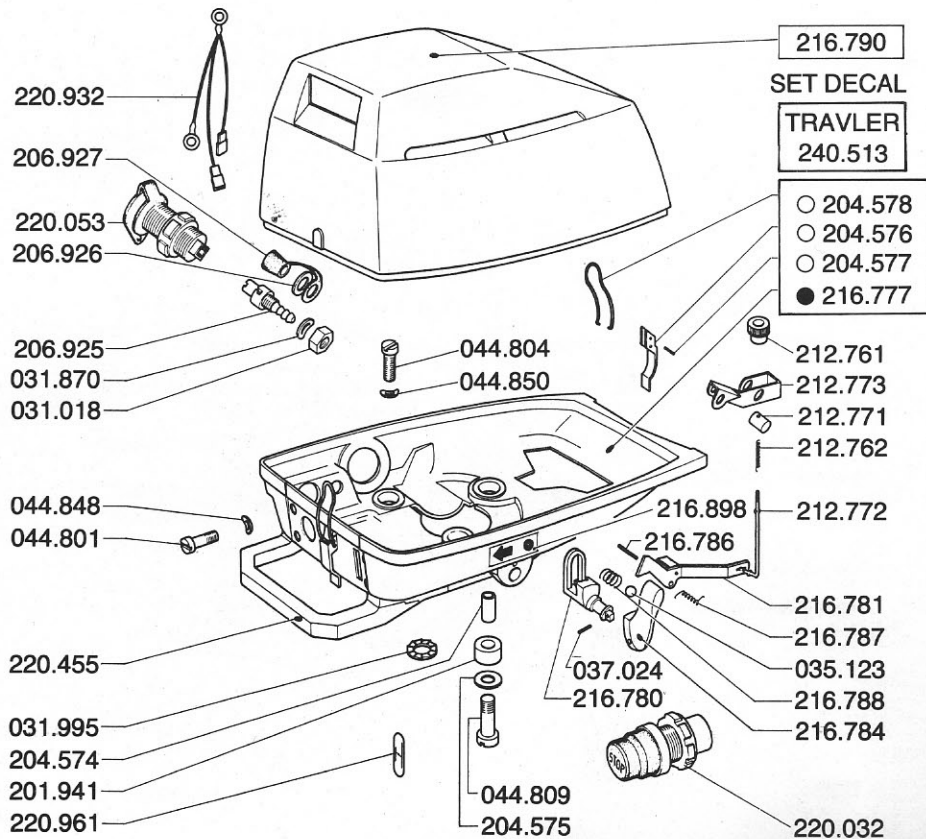
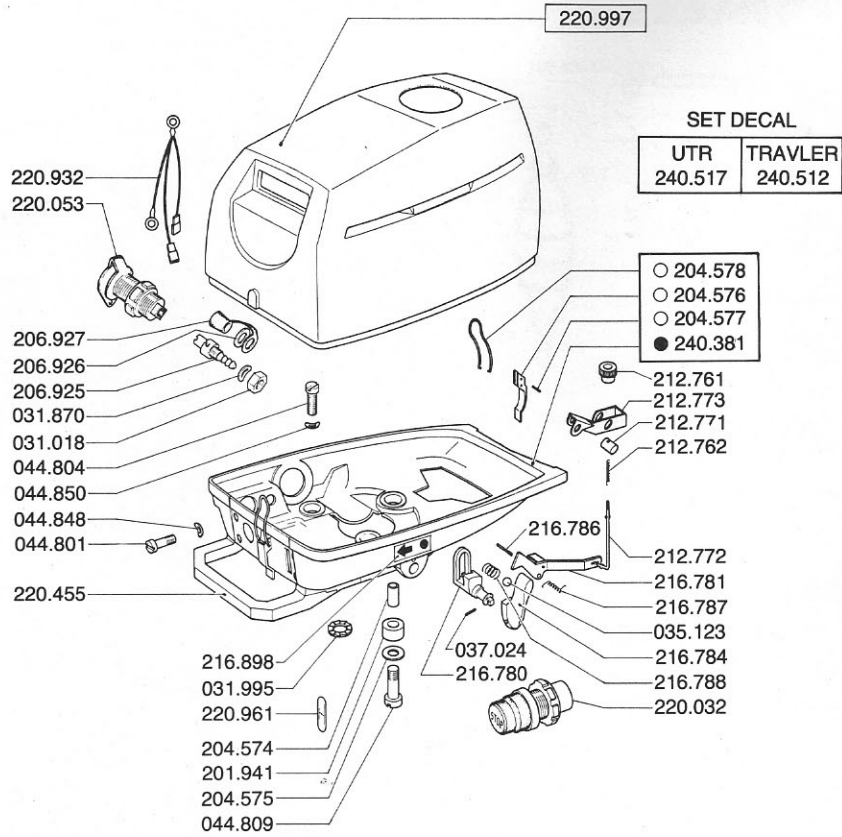
ENGINE COVER

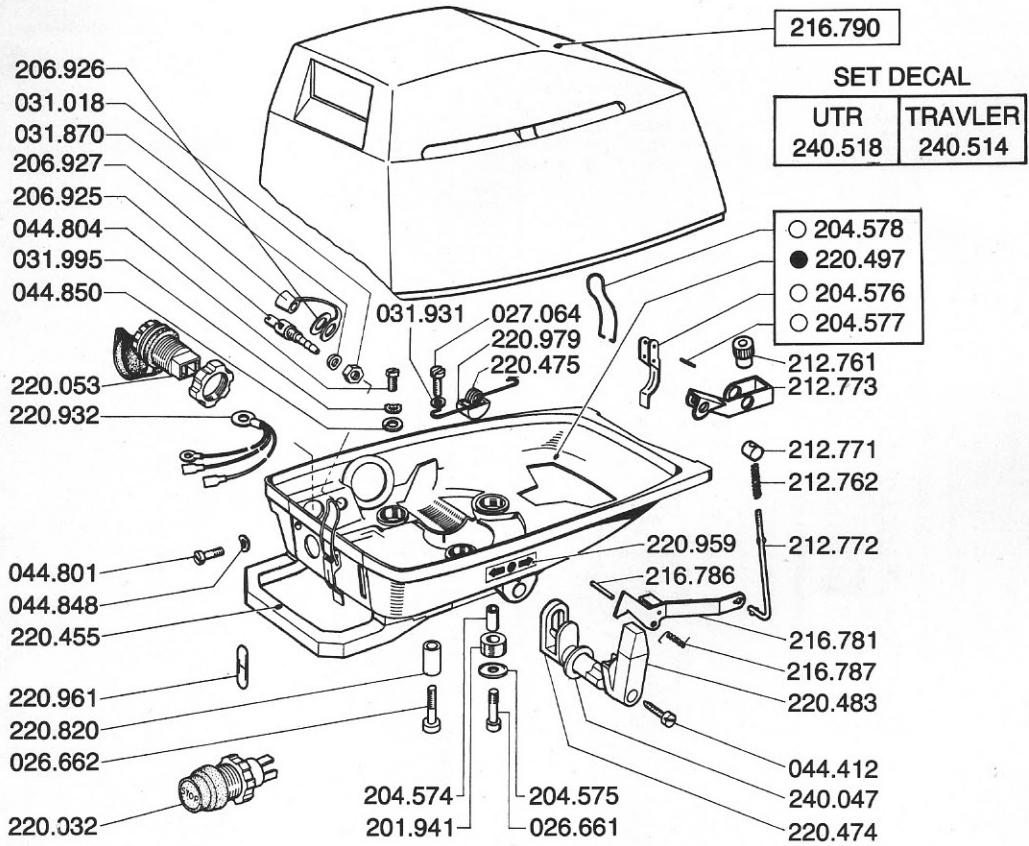
(T 3)

ENGINE COVER, ENGINE COVER CARRIER, PLUG SOCKET, SHORT

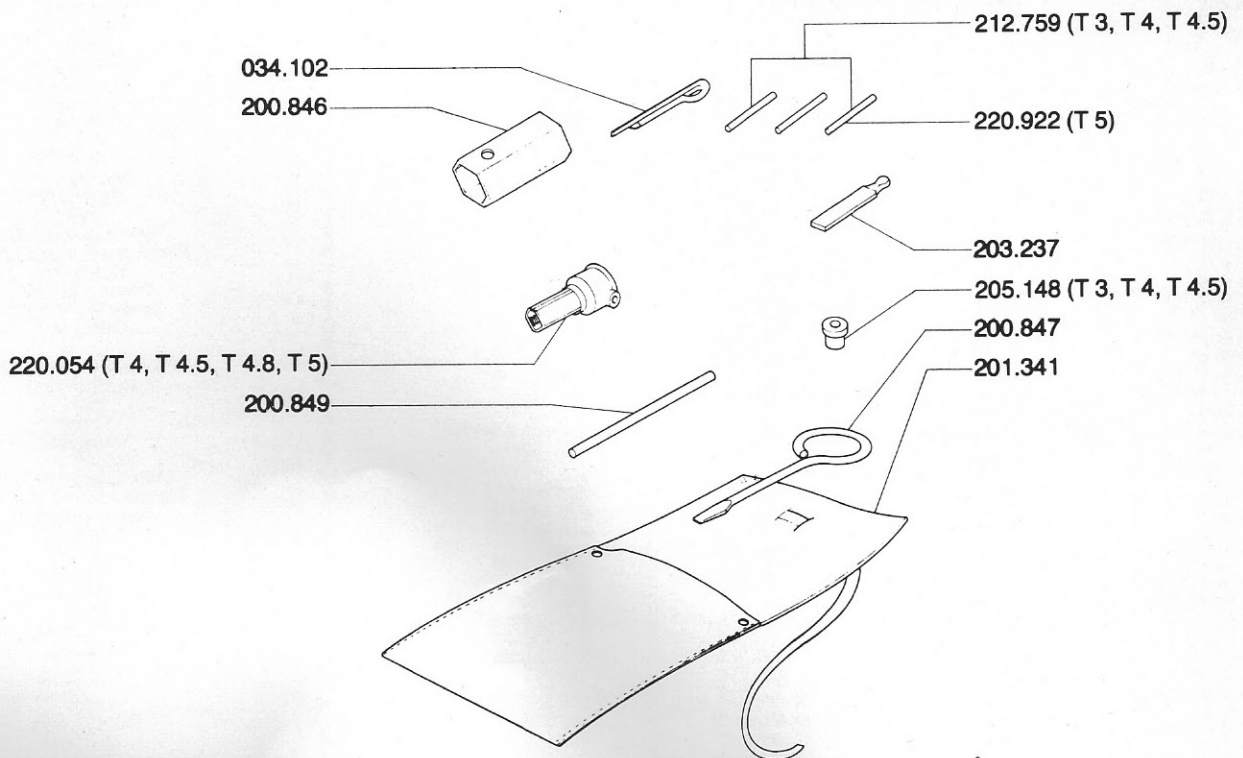
U







- TOOLS AND ACCESSORIES
- 210.642 (T 3)
 - 216.544 (T 4, T 4.5)
 - 240.049 (T 4.8, T 5)



INDEX

Šifra Part No. No. Code N. Cod	Skupina Section Section Gruppo	Naziv Description Designation Denominazione	Šifra Part No. No. Code N. Cod	Skupina Section Section Gruppo	Naziv Description Designation Denominazione
026 560	S	Allen screw	202 038	O	Wing screw-Inox
026 566	S	Allen screw M5 × 0.79"	202 065	L,M,N	Drain plug
026 573	B	Allen screw M6 × 0.98"	202 073	O	Spring
026 575	B	Screw M6 × 0.79"	202 091	L	Shim 0.0039"
026 661	P,S,X	Screw M6 × 1.18"-Inox	202 092	L	Shim 0.0079"
026 662	J,X	Screw M6 × 1.38"-Inox	202 095	O	Adjusting screw
026 633	J	Screw M6 × 1.75"-Inox	202 096	O	Spring
027 053	D	Screw M4 × 0.39"	202 097	O	Bushing
027 054	D	Screw M4 × 0.47"	202 329	D	Ignition cable (15.76")
027 057	D	Screw M4 × 0.79"	203 218	L	Shim 0.016"
027 058	D	Screw M4 × 0.98"	203 237	Y	Adjusting plate
027 061	E	Screw M5 × 0.63"-Inox	203 256	B	Stud bolt
027 062	D	Screw M5 × 0.79"-Inox	203 277	L,M,N	Gasket
027 064	X	Screw M5 × 0.39"	203 304	J	Intake pipe
027 065	D,E,I	Screw M5 × 0.47"	203 849	A	Cylinder stud bolt
027 068	F	Screw M5 × 0.79"	204 157	O	Pin
027 079	A,I	Screw M5 × 0.63"	204 160	O	Schackle
027 085	A	Screw M6 × 1.57"	204 274	D	Flywheel
027 145	H	Screw M3 × 0.23"	204 275	D	Ignition coil
027 204	I	Screw M4 × 0.47"	204 276	D	Lighting coil
030 045	P	Nut M6 selflocking-Inox	204 277	D	Contact breaker set
031 018	V,X,Z	Nut M8 × 1-flat	204 278	D	Condenser
031 076	A	Nut M7	204 279	D	Base plate
031 124	F	Nut M8 × 1	204 412	A	Blower hood
031 209	H	Nut M5-flat	204 418	B,J	Gasket
031 507	D	Washer	204 426	F	Roller
031 843	D	Spring washer	204 427	F	Safety spring
031 868	B	Spring ring	204 430	F	Roller cage
031 870	V,X,Z	Spring washer	204 431	F	Washer
031 884	P	Spring washer	204 432	F	Spring
031 931	E,X	Washer	204 433	F	Spacing screw
031 934	C	Washer	204 435	F	Clamp plate
031 995	V,X,Z	Spring washer	204 436	F	Starter handle
031 999	D	Spring washer	204 438	F	Starter spring
032 039	B	Circlip 0.47"	204 457	B	Gasket
032 137	L,M,N	Circlip J 1.10"	204 463	B	Cylinder head
032 139	L,M,N	Circlip J 1.26"	204 466	B	Gudgeon pin
032 145	C	Circlip	204 523	J	Ring
034 102	L,M,N,Y	Split pin Inox	204 574	S,V,X,Z	Bushing
034 212	U	Rivet Al.	204 575	S,V,X,Z	Washer
035 032	L,M,N	Ball bearing 6001	204 576	V,X,Z	Clamp Lever
035 070	C	Ball bearing 6203C3	204 577	V,X,Z	Pin
035 072	L,M,N	Ball bearing 6201	204 578	V,X,Z	Engine cover release
035 074	M,N	Ball bearing 6203	204 579	R	Spring washer
035 123	V,Z	Ball 0.23"	204 581	R	Ring
035 463	N	Needle bearing	204 582	R	Plate
035 518	C	Needle bearing	204 583	J	Gasket
036 028	J,K	O-ring	204 584	R	Ring
036 555	C	Seal ring	204 586	I	Gasket
036 556	C	Seal ring	204 595	I	Intake rubber
037 019	J,K	Spring pin	204 603	F	Starter mechanism cpl
037 024	V,Z	Spring pin Inox	204 605	O	Stern bracket
037 025	J,S	Spring pin Inox	204 608	I	Fuel line (2.76")
037 026	M	Spring pin	204 611	L,M,N	Shim 0.0039"
037 034	L	Spring pin	204 612	L,M,N	Shim 0.0079"
037 055	A	Spring pin	204 613	L,M,N	Shim 0.012"
044 154	A	Washer	204 624	A	Stud bolt M6 × 1.26"
044 334	R	Screw M5 × 0.63"-Inox	204 632	I	Fuel pump
044 380	F	Spring washer	204 654	T	Rubber cap
044 412	X	Sheet screw	204 655	T	Banjo
044 424	F	Screw M5 × 1.18"	204 681	L,M	Distance tube
044 582	P	Seal washer	204 880	I	Diaphragm
044 584	G,H,I	Seal washer	204 881	I	Gasket
044 598	B	Spark plug Bosch W5AC	204 882	I	Seal ring
044 611	E	Connector block	204 883	I	Filler
044 629	I	Screw M4 × 0.39"	204 884	I	Cover
044 630	H	Ball 0.16"	204 885	I	Seal washer
044 728	I	Seal washer	204 887	I	Banjo bolt
044 800	O	Wing nut M6-Inox	204 888	I	Banjo
044 801	V,X,Z	Screw M4 × 0.39"-Inox	204 893	B	Piston oversize 1.67"
044 802	L,M,N	Screw M5 × 0.55"-Inox	204 897	B	Piston ring oversize 1.67"
044 804	A,D,L,M,N,V,X,Z	Screw M6 × 0.79"-Inox	205 007	T	Clamp ring
044 805	S	Screw M6 × 0.98"-Inox	205 011	B	Piston ring 1.65"
044 809	S,U,V,Z	Screw M6 × 1.18"-Inox	205 047	I	Screw M6 × 0.63"
044 811	A	Screw M5 × 0.31"-Inox	205 083	O	Clamp ring
044 827	A,B,J,K	Nut M6-Inox	205 104	F	Cover
044 828	J,K	Nut M7-Inox	205 134	T	Fuel tank (3.16 US gal)
044 846	L,M,N	Seal	205 148	A,Y	Rubber ring
044 848	V,X,Z	Spring washer-Inox	205 149	A	Plate
044 849	A,D,E,F,R	Spring washer-Inox	205 150	F	Cover
044 850	A,B,D,I,J,K,L,M,N,O,P	Spring washer-Inox	205 166	R	Cable lock
	S,U,V,X,Z		205 173	I	Intake elbow
044 854	J,K	Spring washer-Inox	205 177	J,K	Union tube 25.77" LS
044 864	H	Spring washer	205 190	R	Throttle control cable cpl.
200 039	A	Rubber insert	205 461	I	Fuel line (7.88")
200 048	C	Pin	206 207	V	Crankshaft
200 846	Y	Plug spanner	206 210	L	Gear set
200 847	Y	Screw driver	206 225	I	Gasket
200 849	Y	Pin	206 236	J	Exhaust elbow
201 341	Y	Tool bag	206 500	R	Plate
201 528	J	Flange gasket	206 524	J	Spring plate
201 939	L	Washer	206 525	O	Nylon ring
201 941	O,S,V,X,Z	Rubber	206 526	J,N	Ring
201 944	L,M,N	O-ring	206 530	J	Ring
201 962	O	Washer-Al	206 531	L,M	Ring
201 963	O	Distance tube	206 535	L,M,N	Rubber ring
201 964	O	Clamp ring	206 543	J,K	Stud bolt
201 965	O	Distance tube	206 544	J,K	Stud bolt
201 967	O	Bearing strip	206 551	O	Tilt adjusting carrier
201 971	J,K	Stud bolt M6 × 0.98"-Inox	206 558	J	Bushing

INDEX

Sifra Part No. No. Code N. Cod	Skupina Section Section Gruppo	Naziv Description Designation Denominazione	Sifra Part No. No. Code N. Cod	Skupina Section Section Gruppo	Naziv Description Designation Denominazione
206 567	J	Gear housing	212 484	G,H	Float
206 572	L,M	Gasket plate	212 522	T	Fuel line (7.88")
206 580	O	Support	212 523	T	Primer pump cpl.
206 583	J,K	Union tube-SS	212 525	T	Nipple
206 587	J	Water tube-LS	212 529	T	Fuel line (3.281 ft)
206 588	J	Water tube-SS	212 530	T	Connector
206 589	J	Outside tube-SS	212 636	T	Gasket
206 590	J	Outside tube-LS	212 641	H	Carburettor
206 595	J	Protective tube 21.95"-SS	212 642	G	Carburettor
206 596	J	Protective tube 25.10"-LS	212 745	L	Propeller shaft
206 661	G,H	Seal gasket	212 753	L,M	Propeller hub
206 663	H	Jet	212 755	L,M	Ring
206 667	G,H	Float pin	212 756	L,M,N	Bushing
206 669	H	Spring	212 757	L,M,N	Propeller cap
206 671	H	Lever	212 759	L,M,Y	Shear pin
206 673	H	Throttle valve spindle cpl.	212 761	V,X,Z	Nut
206 675	H	Spring	212 762	V,X,Z	Spring
206 676	H	Washer	212 771	V,X,Z	Nipple
206 677	H	Circlip	212 772	V,X,Z	Rod
206 681	H	Seal washer	212 773	V,X,Z	Lever
206 682	H	Connection nipple	212 814	D,E	Blower
206 686	H	Lever	212 846	U	Rubber ring
206 689	H	Control cable support	212 847	U	Bushing
206 691	H	Screw M3 x 0.20"	212 848	U	Rubber cap
206 693	H	Screw M3,5 x 0.20"	212 849	U	Border ring
206 696	H	Nipple	212 853	U	Choke lever
206 722	G	Needle	212 854	U	Carrying support
206 732	G	Jet holder	212 942	A	Engine cover
206 900	L	Gear housing cpl.	212 943	A	Engine cover
206 901	L	Gear housing	212 957	M,N	Shim 0.0039"
206 902	L	Flange	212 958	N	Shim 0.0059"
206 907	O	Stern bracket cpl.	212 959	N	Shim 0.0079"
206 917	D	Rubber	212 970	T	Filler cap
206 918	D	Seal rubber	212 971	T	Rubber ring
206 919	J	Engine flange	212 980	T	Suction pipe
206 925	V,X,Z	Nipple	214 650	D	Generator cpl.
206 926	V,X,Z	Washer	215 487	C	Nut M10 x 1
206 927	V,X,Z	Rubber cap	216 137	G,H	Float valve
206 952	B	Piston 1.65"	216 138	H	Jet 40
206 959	O	Bearing strip	216 180	H	Float chamber
206 968	D	Spark plug cap	216 181	H	Air setting screw
208 323	S	Rubber	216 182	H	Spring
208 324	S	Washer	216 183	H	Plate
208 387	S	Fuel feed tap	216 184	H	Adjusting screw
208 391	S	Seal	216 185	H	Spring
208 393	S	Clamp	216 186	G,H	Cable adjusting nipple
208 504	B	Cylinder with piston cpl.	216 187	H	Choke spindle cpl.
208 560	R	Steering handle cpl.	216 188	H	Clamp
208 564	G	Circlip	216 189	H	Screw
208 565	G	Washer	216 190	H	Nut
208 566	G	Spring	216 191	G	Float bowl
208 576	R	Steering handle tube	216 192	G	Banjo
208 577	R	Twist bushing	216 193	G	Banjo bolt
208 578	R	Clip	216 194	G	Air setting screw
208 579	R	Twist bushing	216 195	G	Spring
208 582	R	Plate	216 196	G	Slide valve
209 786	A	Set of gaskets	216 197	G	Cover
210 009	O,P	Pin	216 198	G	Screw
210 011	O,P	Clamping screw pad	216 205	G	Nut
210 047	S	Ring	216 544	Y	Tool set
210 110	R	Rubber grip	216 617	B	Gasket
210 153	F	Starter grip	216 618	B	Cylinder head
210 173	E	Ignition cable (7.88")	216 625	B	Piston 1.89"
210 175	D,E	Rubber	216 627	B	Piston ring 1.89"
210 207	D	Plug socket	216 628	B	Gudgeon pin
210 224	D	Insulator cover	216 742	M	Rubber ring
210 379	G	Nut	216 746	M	Gear housing cpl.
210 381	G	Cable guide tube	216 747	M	Clutch
210 382	G	Choke Lever	216 751	M	Gear set
210 383	G	Circlip	216 753	M	Propeller shaft
210 384	G	Gasket	216 755	M	Gear housing
210 385	G	Choke plate	216 758	M	Flange
210 387	G	Screw	216 760	M	Spring
210 388	G	Jet 60	216 761	M	Gearshift cam
210 611	F	Starter device cpl.	216 762	M	Shift spindle
210 616	I	Intake rubber	216 766	J	Shift spindle-SS
210 618	S	Fuel line (5.91")	216 768	J	Spring
210 628	I	Intake silencer	216 773	J	Shift lever
210 632	H	Jet 70	216 776	J	Bearing bush
210 642	Y	Tool set	216 777	Z	Cover
210 656	R	Throttle control cable cpl.	216 780	V,Z	Shift lever
210 661	S	Filler cap	216 781	V,X,Z	Lever
210 723	S	Carrying handle	216 784	V,Z	Shift lever
210 730	S	Fuel tank cpl.	216 786	V,X,Z	Pin
210 732	S	Rubber ring	216 787	V,X,Z	Spring
210 733	S	Rubber ring	216 788	V,Z	Spring
210 734	S	Ring	216 790	X,Z	Engine cover
210 736	A	Blower hood	216 794	J	Shift spindle-LS
210 737	S	Cap	216 797	J	Engine flange-SS
210 738	S	Safety nut	216 798	J	Engine flange-LS
210 739	R	Steering arm cpl.	216 805	L	Rubber gasket
210 744	I	Intake elbow	216 882	L,M	Anodic plate
210 759	A	Blower hood	216 887	A	Rubber
210 836	S	Foam ring	216 888	A	Washer
210 841	R	Steering lever tube	216 889	F	Rubber
210 846	E	Spark plug cap	216 898	V,Z	Decal
210 959	T	Decal "TOMOS"	216 947	F	Starter device cpl.
211 643	C	Connecting rod bush	220 017	I	Choke rod
212 076	F	Starter rope	220 018	A	Engine cover
			220 020	K	Exhaust elbow

INDEX

Sifra Part No. No. Code N. Cod	Skupina Section Sectioni Gruppo	Naziv Description Designation Denominazione	Sifra Part No. No. Code N. Cod	Skupina Section Section Gruppo	Naziv Description Designation Denominazione
220 025	K	Gasket	222 046	D	Primary coil
220 027	K	Gasket	240 006	DD	Support
220 032	S,V,X,Z	Stop switch	240 007	S	Gasket
220 051	S	Conductor ground	240 009	S	Bushing
220 053	V,X,Z	Plug socket	240 014	S	Fuel tube
220 054	Y	Plug	240 015	E	Base plate cpl.
220 093	N	Propeller shaft	240 016	E	Flywheel
220 094	N	Clutch	240 029	D	Conductor-ground
220 095	N	Spring	240 032	N	Gear housing cpl.
220 096	N	Locking pin	240 047	X	Washer
220 097	N	Gear shift pin	240 049	Y	Tool set
220 098	N	Spring	240 085	D	Ignition cable
220 099	N	Anodic plate	240 089	S	Insert
220 100	N	Bearing bush	240 090	S	Fuel tank cap
220 101	N	Bearing bush	240 091	S	Protective piece
220 102	N	Rubber	240 092	S	Cap protection
220 103	N	Plate	240 093	S	Gasket
220 105	N	Shift rod	240 221	J,K	Washer
220 106	N	Gearshift cam	240 222	S	Lever
220 107	N	Flange	240 226	S	Fuel tube
220 237	A	Gasket	240 227	S	Fuel tube
220 239	P	Adjust block	240 229	S	Nut
220 243	P	Stern bracket	240 230	S	Fuel petcock
220 246	O,P	Handle	240 381	V	Engine cover carrier
220 248	K	Cover	240 439	L,M	Propeller two blades-4.72"
220 251	K	Connection housing-SS	240 441	L,M	Propeller two blades-5.51"
220 253	K	Connection housing-LS	240 443	L,M	Propeller two blades-6.30"
220 303	F	Starter pulley	240 445	N	Propeller three blades-4.72"
220 305	F	Starter device axle			Propeller three blades-5.51"
220 307	F	Washer	240 447	N	Propeller three blades-6.30"
220 416	K	Shift spindle-SS			Propeller two blades-4.72"
220 417	K	Shift spindle-LS	240 449	N	Propeller two blades-5.51"
220 426	P	Snapper			Propeller three blades-6.30"
220 431	P	Lever	240 457	L,M	Propeller two blades-4.72"
220 432	O,P	Clamping screw	240 459	L,M	Propeller two blades-5.51"
220 433	P	Spring	240 461	L,M	Propeller two blades-6.30"
220 434	O,P	Plug	240 463	N	Propeller three blades-4.72"
220 439	P	Pin			Propeller three blades-5.51"
220 440	P	Tilt adjusting pin	240 465	N	Propeller three blades-6.30"
220 442	P	Spring			Propeller three blades-4.72"
220 443	P	Pin	240 467	N	Propeller three blades-5.51"
220 444	P	Washer			Propeller three blades-6.30"
220 446	P	Tilt bracket pin	240 491	R	Decal
220 447	P	Bearing bush	240 492	R	Decal
220 448	P	Rubber	240 511	U	Set of decals
220 449	P	Rubber	240 512	V	Set of decals
220 450	P	Sliding bush	240 513	Z	Set of decals
220 451	P	Sliding bush	240 514	X	Set of decals
220 455	Y,X,Z	Grip with insert piece	240 517	V	Set of decals
220 462	P	Cover	240 518	X	Set of decals
220 469	N	Gasket plate	240 521	J	Decal
220 474	X	Shift lever	240 522	K	Decal
220 475	X	Spring	240 527	U	Engine cover
220 483	X	Shift lever	240 528	S	Bushing
220 497	X	Engine cover			
220 513	N	Washer			
220 521	P	Cam			
220 522	P	Adjusting screw			
220 523	P	Pin			
220 524	P	Clamp ring			
220 674	N	Propeller hub			
220 679	K	Water tube-SS			
220 680	K	Water tube-LS			
220 724	N	Ring			
220 818	K	Flange gasket			
220 820	X	Bushing			
220 829	P	Spring			
220 870	K	Guide			
220 914	K	Shift lever			
220 915	K	Bearing bush			
220 920	B	Cylinder with piston cpl.			
220 922	N,Y	Shear pin			
220 931	D	Generator cpl.			
220 932	V,X,Z	Cable			
220 934	E	Ignition cpl.			
220 942	N	Distance tube			
220 943	N	Distance washer			
220 953	N	Rubber			
220 954	A	Crankcase			
220 955	K	Protective tube-SS			
220 956	K	Protective tube-LS			
220 957	N	Gear housing			
220 959	X	Decal			
220 961	V,X,Z	Decal			
220 962	D	Ignition coil			
220 963	E	Rubber cap			
220 964	N	Distance washer			
220 965	C	Crankshaft cpl			
220 966	N	Gear set			
220 978	S	Fuel tank			
220 979	X	Protector			
220 985	T	Fuel tank 1.584 US gal.cpl.			
220 988	T	Suction pipe cpl.			
220 991	T	Filler cap cpl.			
220 996	T	Protective strip			
220 997	V	Engine cover			
221 581	E	Electronic box			
222 042	B	Flywheel			
222 043	D	Base plate			
222 045	D	Lighting coil			